

WEIMA shredders for plastics and recycling

Series WSM Granulators



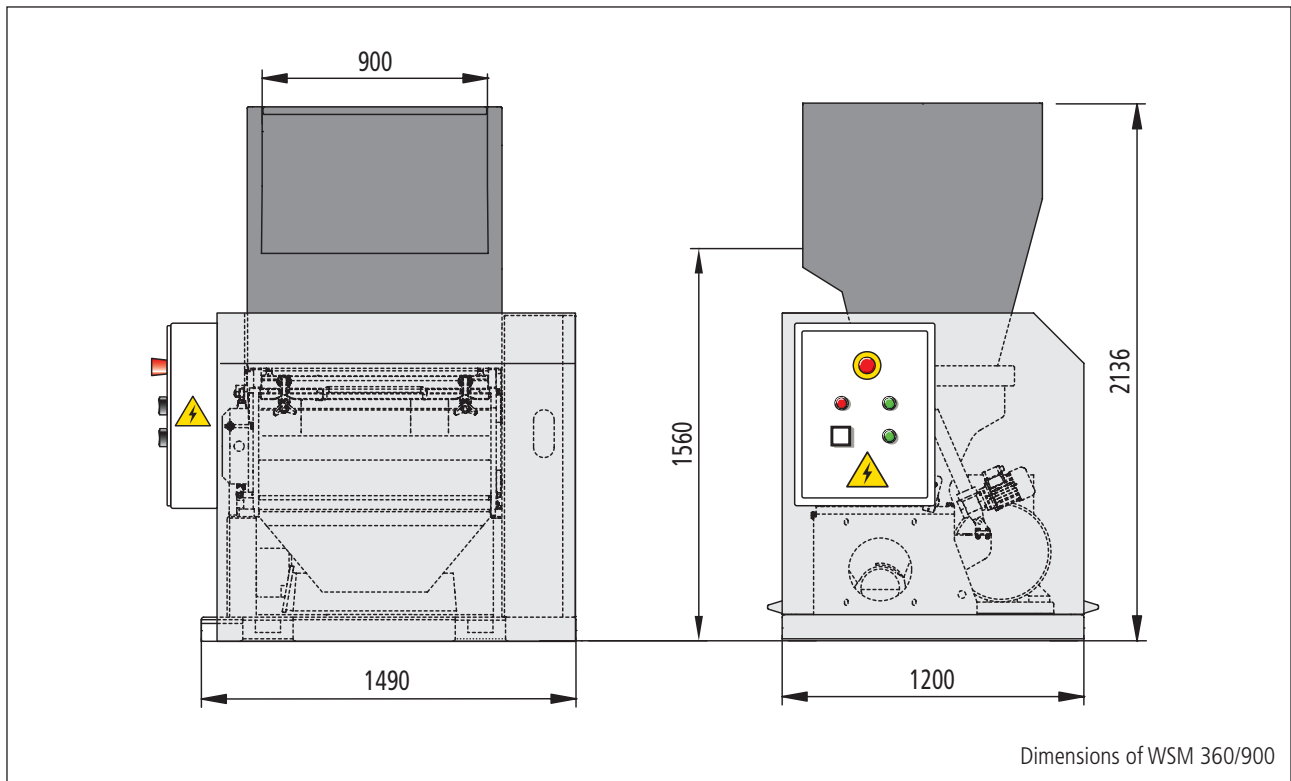
WSM 260/500 · WSM 360/600
WSM 360/900 · WSM 500/700
WSM 500/1000

Performance profile

WSM granulators are suitable for shredding a wide range of plastics to make high quality granulate. They can process, for example, blow-moulded materials such as PET bottles, PE/PP bottles, canisters or buckets. In addition it is possible, depending on the version, to shred resistant materials such as thick-walled pipes.

WSM granulators can be used either as a stand-alone solution or as second-stage shredders in two-stage processes. The various sizes and different versions make it possible to adapt the machine to your individual requirements.

The WSM Series – an overview



SPECIFICATIONS

	WSM 260/500	WSM 360/600	WSM 360/900	WSM 500/700	WSM 500/1000
Hopper opening (mm)	500 x 300	620 x 420	910 x 420	740 x 570	1.100 x 570
Working width of rotor (mm)	500	600	900	700	1.000
Rotor diameter (mm)	260	360	360	500	500
Rotor speed (rpm)	580	580	580	400	400
Motor performance (kW)	9/15	22/30	30/37	45/55	75
Rotor knives (number)	3	3	3	3	3
Counter-knives (number)	2	2	2	2	2
Screen perforation (mm)	5 - 15	5 - 15	5 - 15	5 - 15	5 - 15
Weight (kg) approx.*	680	1.900	2.100	3.200	4.500

* This may vary according to equipment and drive performance of the machine.

EQUIPMENT

Standard equipment

- highly effective V-cutting technology with double diagonal cut
- large hopper for manual or conveyor belt feed
- discharge channel for connection to suction system
- adjustment jig for easy knife adjustment outside the machine
- offset and reinforced vertical and rotor bearings
- anti-dust sealing to prevent dust discharge from the rotor

Options

- different rotor versions for customised applications
- hydraulic screen lifter and lift up hopper for rapid and easy screen change
- conveyor belts, metal separators, suction systems, dedusting
- noise protection